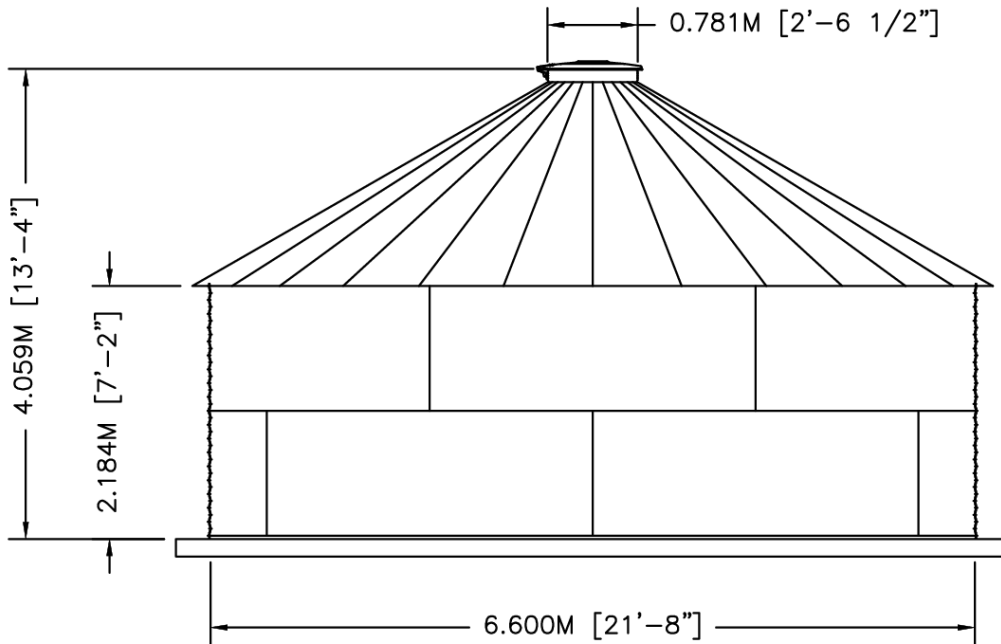


PLAN



ELEVATION



	BY	DATE
DWN	XXX	XX/XX/XX
CKD		
ENG		

TITLE		WTU07-02 30"PR 30DEG V-RIB	
		NOMINAL CAPACITY - 70.397 M3 [18,597 GAL]	
DWG. NO.		SCT2102-VR WTU07-02	REV. NO.
SIZE:	SCALE:	SHEET	OF
A	3/16"=1'-0"	1	1